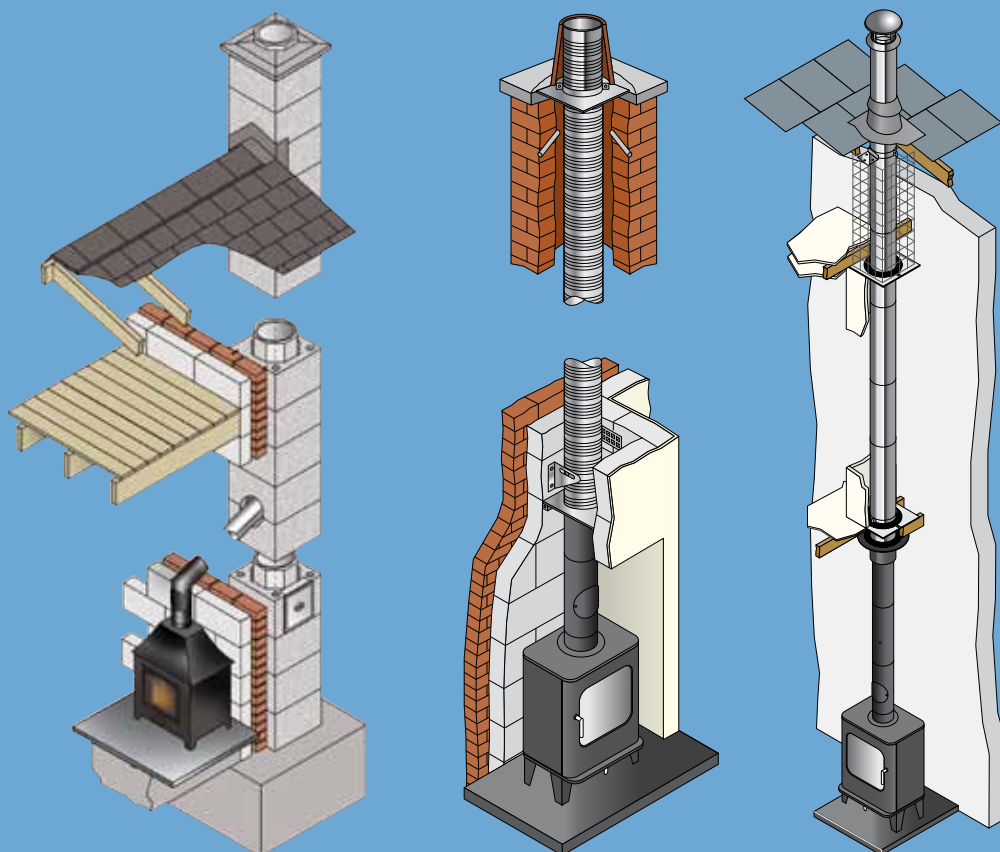


Ecodesign 2022 Ready



# BFCMA

BRITISH FLUE & CHIMNEY  
MANUFACTURERS  
ASSOCIATION



# Installation Guidelines

for Wood Burning &  
Multi Fuel Appliances

Published by the  
British Flue and Chimney Manufacturers Association.  
2 Waltham Court, Milley Lane, Hare Hatch, Berks, RG10 9TH  
Tel: 0118 940 3416 Fax: 0118 940 6258 Email: info@feta.co.uk

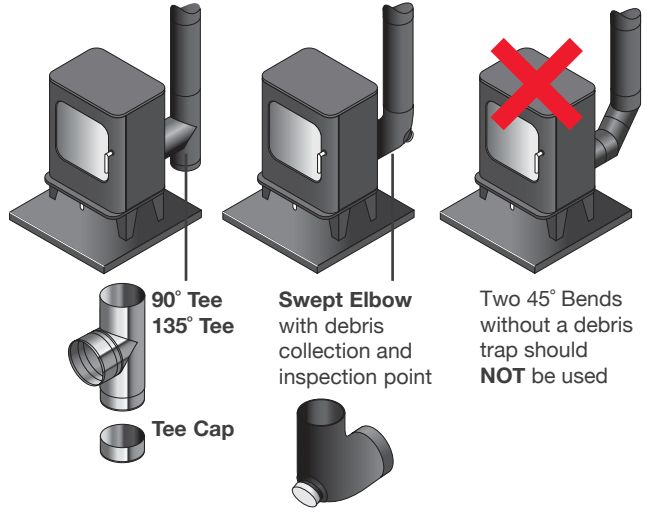
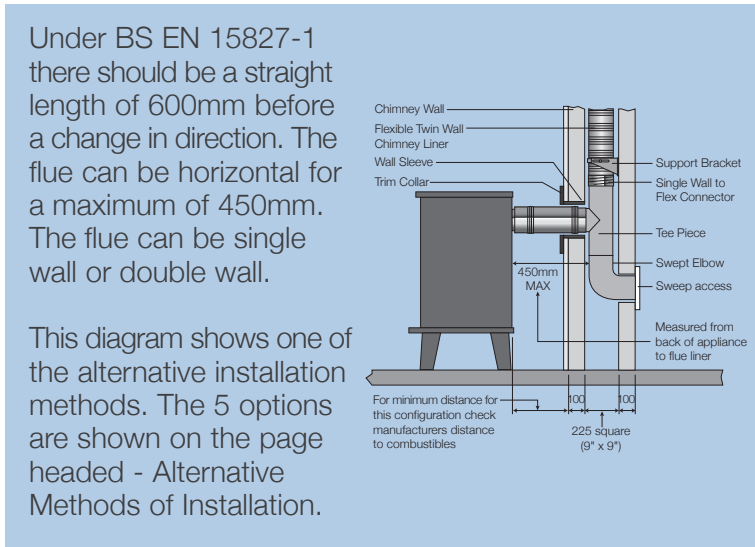
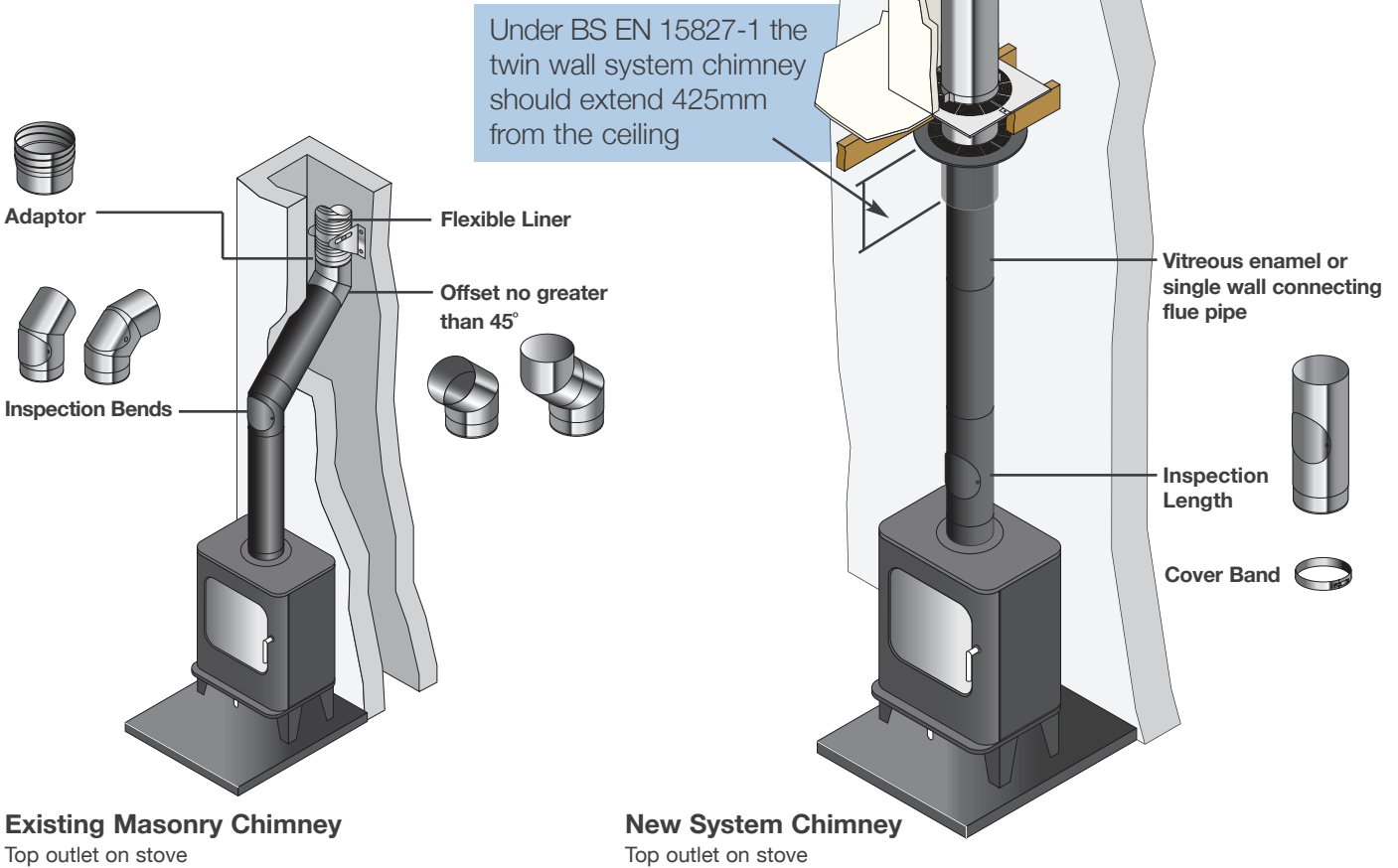
[www.bfcma.co.uk](http://www.bfcma.co.uk)

Version Date June 2022

# Wood Burning & Multi Fuel Stoves

## Connecting Flue Pipe

The stove should be connected to the flue using vitreous enamel or 1mm thick single wall stainless steel pipe.



Connection methods for rear outlet stoves

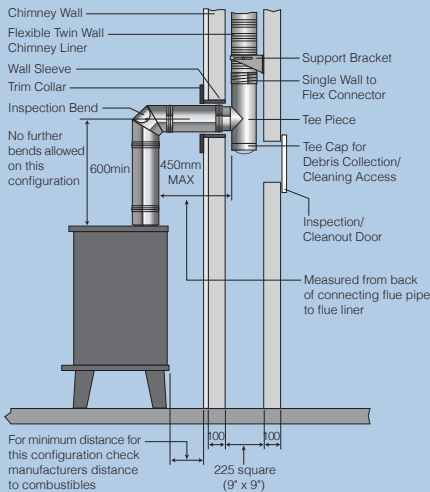
Installations shown are by way of illustration only. Manufacturer's installation instructions should always be consulted before installation.

# Wood Burning & Multi Fuel Stoves

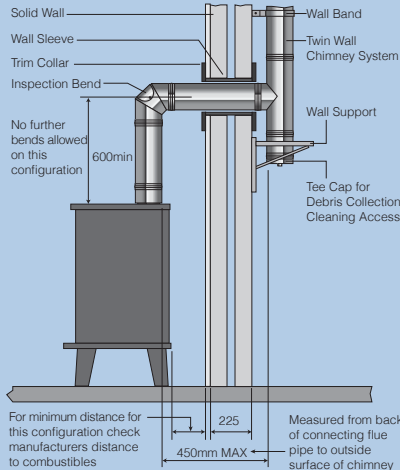
## Alternative methods of installation of under BS EN 15287-1

Under the new BS EN 15287 the horizontal distance for the connecting flue can be up to a maximum of 450mm provided:

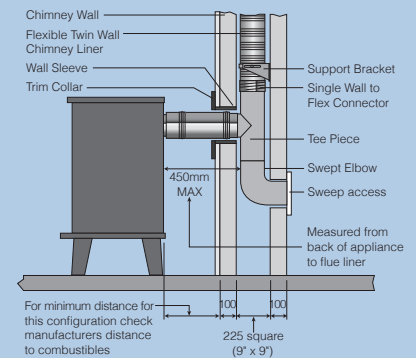
- A Defra exempt appliance or an appliance, which is limited to burning authorised smokeless fuel only, is installed.
- A calculation according to BS EN 13384-1 has indicated safe operation of the proposed configuration, and the results of the calculation are left with the householder along with the appliance installation instructions.
- The chimney manufacturer appliance manufacturers agree in writing to the proposed configuration;
- The total length of single wall connecting flue pipe is not more than 1.5m;
- The appropriate distances to combustibles from both the appliance and the connecting flue pipe are maintained.



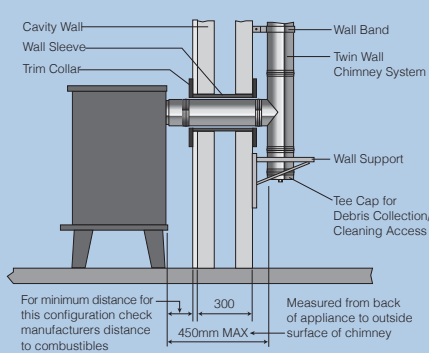
**Top outlet twin wall connecting flue pipe into re-lined masonry chimney**



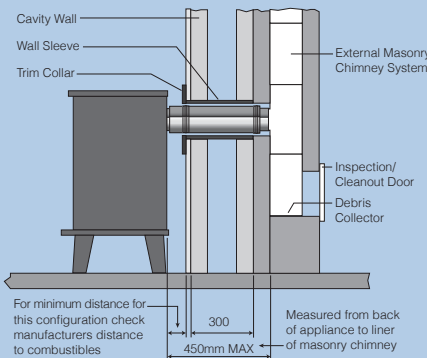
**Top outlet twin wall connecting flue pipe through solid wall into twin wall system chimney**



**Rear outlet twin wall connecting flue pipe into re-lined masonry chimney**



**Rear outlet twin wall connecting flue pipe through cavity wall into twin wall system chimney**



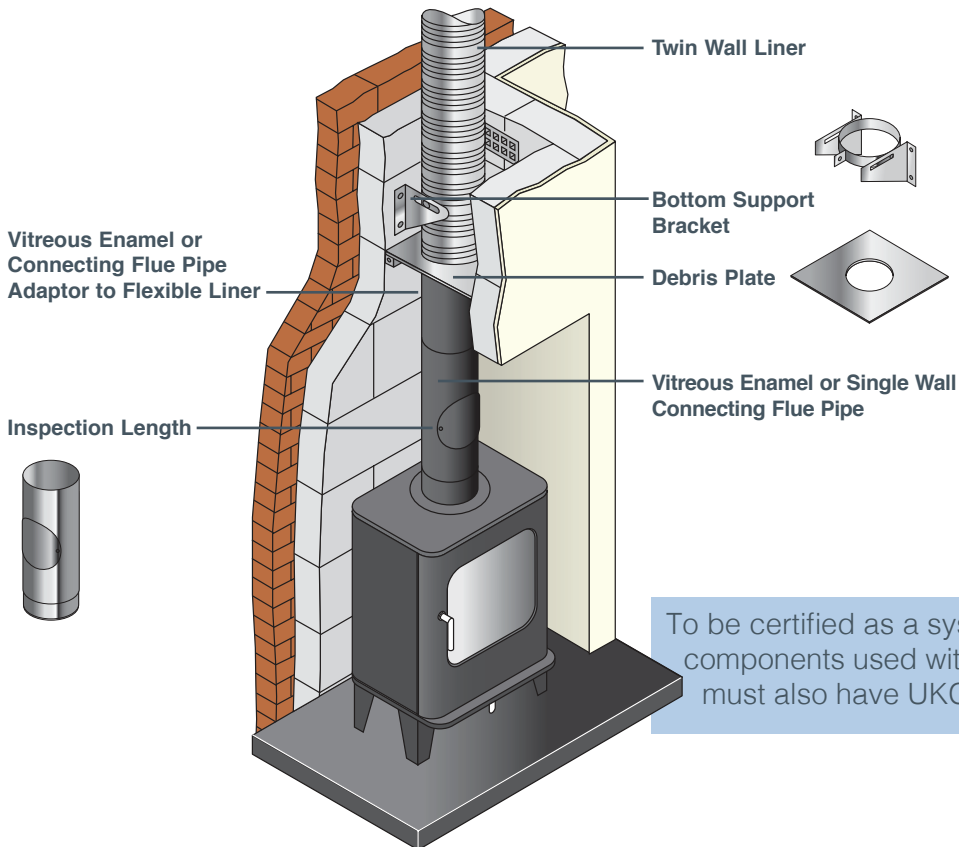
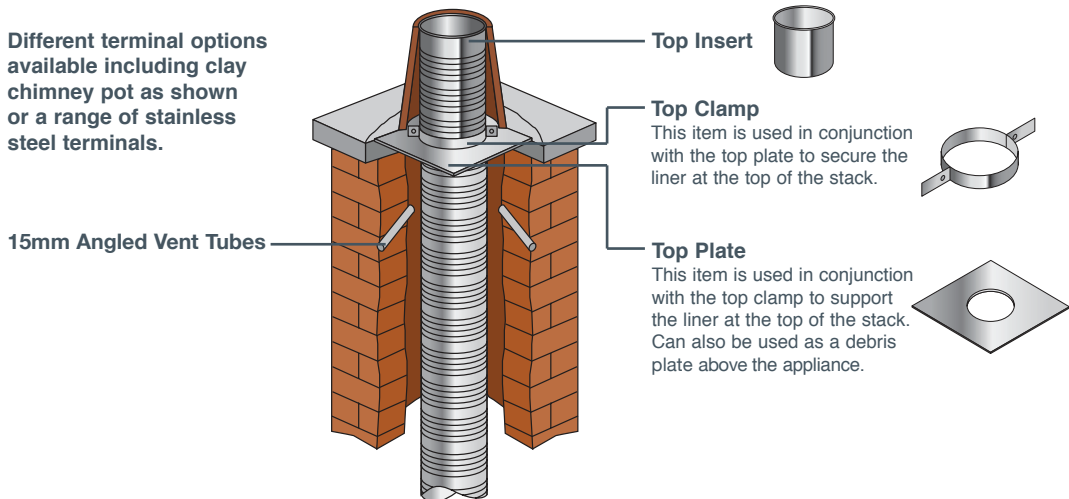
**Rear outlet twin wall connecting flue pipe into external masonry chimney through a cavity wall**

Installations shown are by way of illustration only. Manufacturer's installation instructions should always be consulted before installation.

# Wood Burning & Multi Fuel Stoves

## Existing Chimneys

Relining an existing chimney with twin wall flexible liner

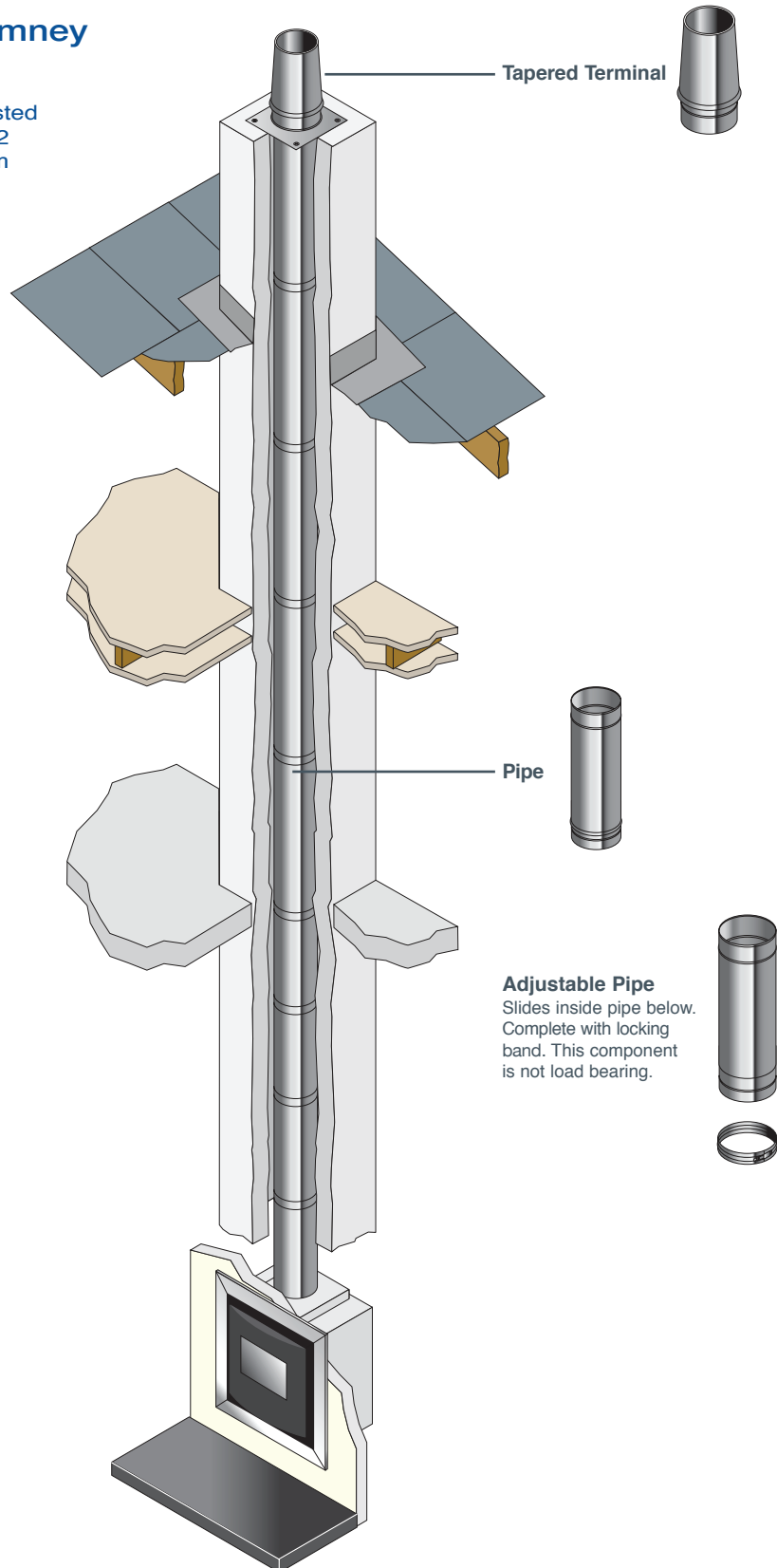


# Wood Burning & Multi Fuel Stoves

## Existing Chimneys

### Relining an existing chimney with single wall liner.

If the 0.6mm thick liner has been tested in accordance with BSEN1856 part 2 then it may be used. If not then 1mm single wall liner must be used.

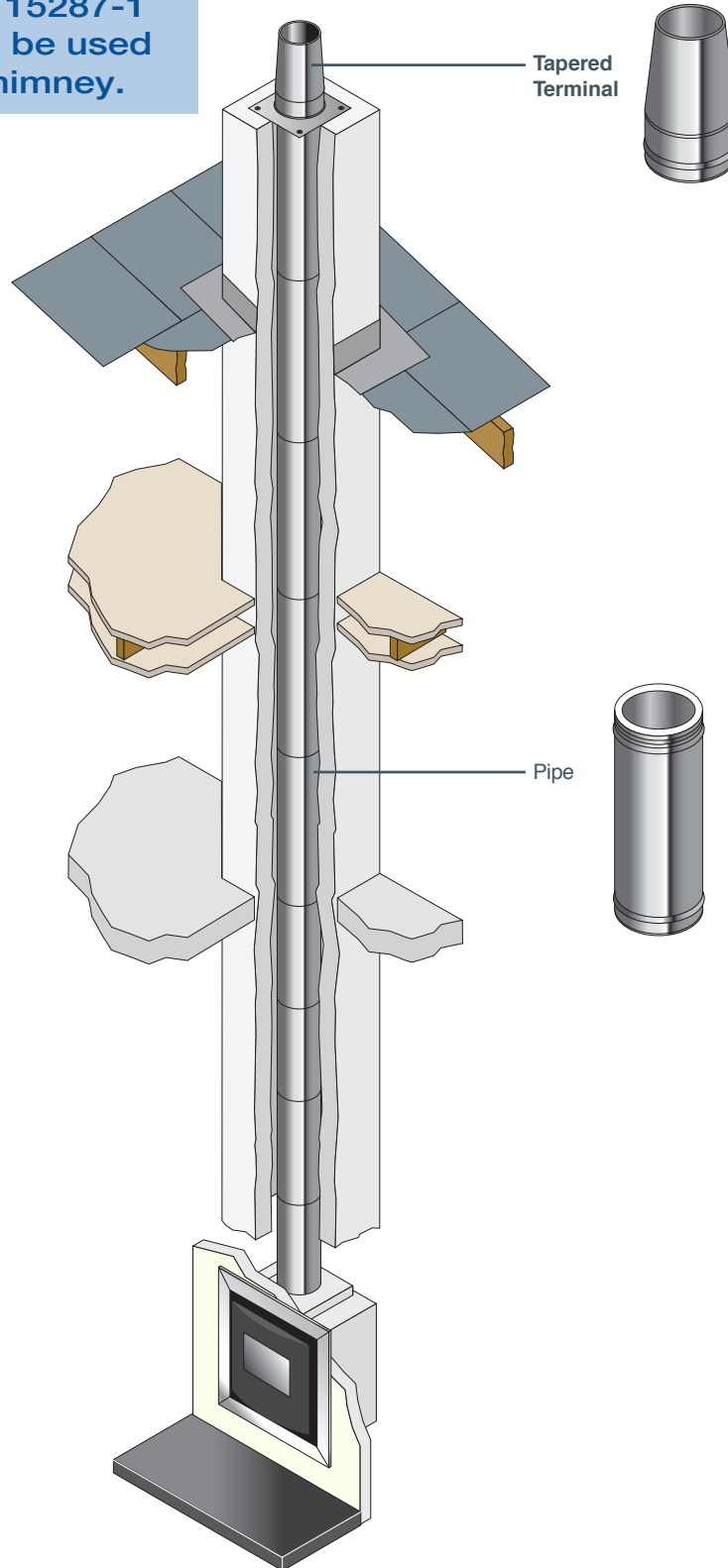


**Adjustable Pipe**  
Slides inside pipe below. Complete with locking band. This component is not load bearing.

# Wood Burning & Multi Fuel Stoves

## Existing Chimneys

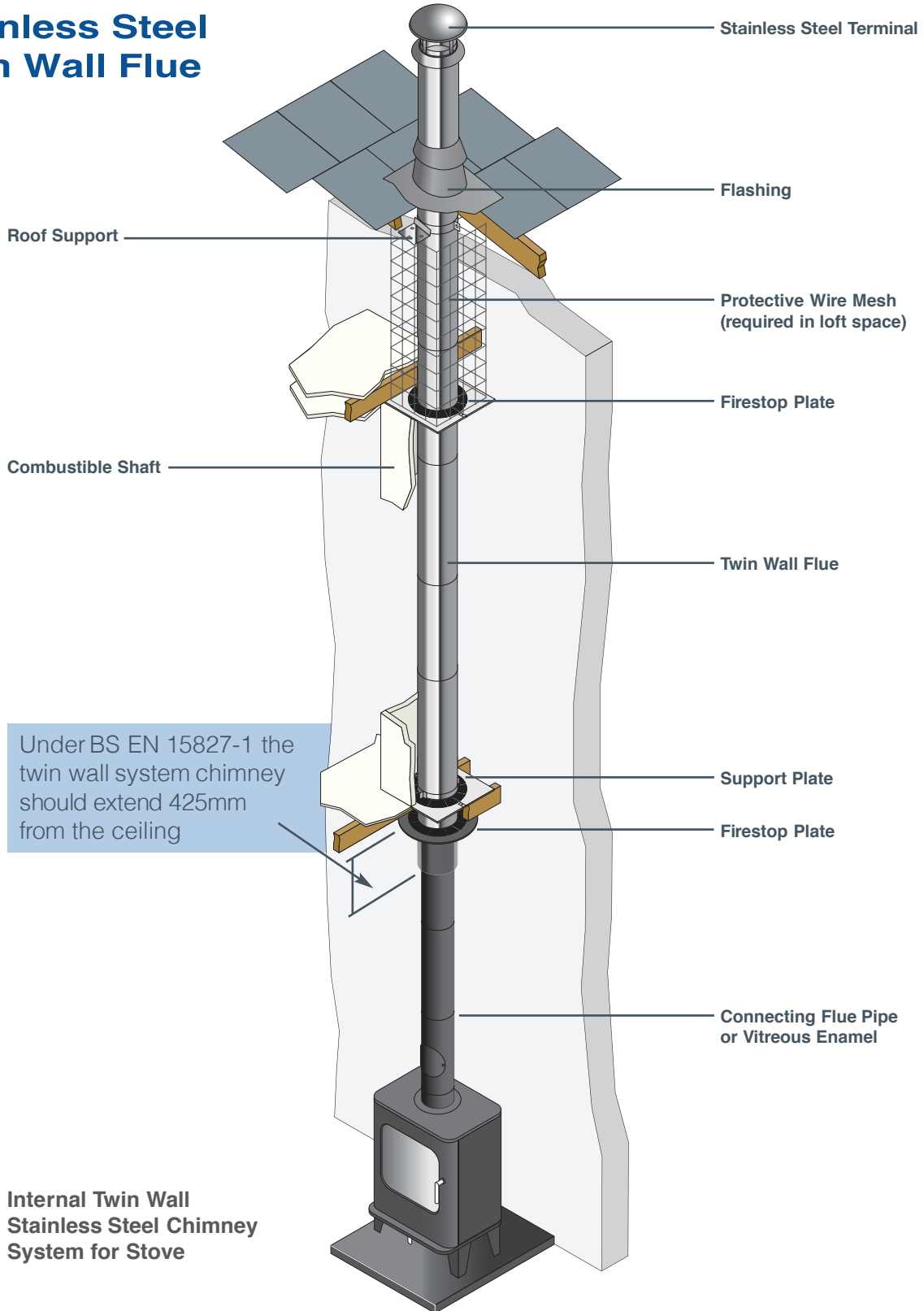
Under the new BS EN 15287-1 twin wall flue can now be used to reline an existing chimney.



Installations shown are by way of illustration only. Manufacturer's installation instructions should always be consulted before installation.

# Wood Burning & Multi Fuel Stoves

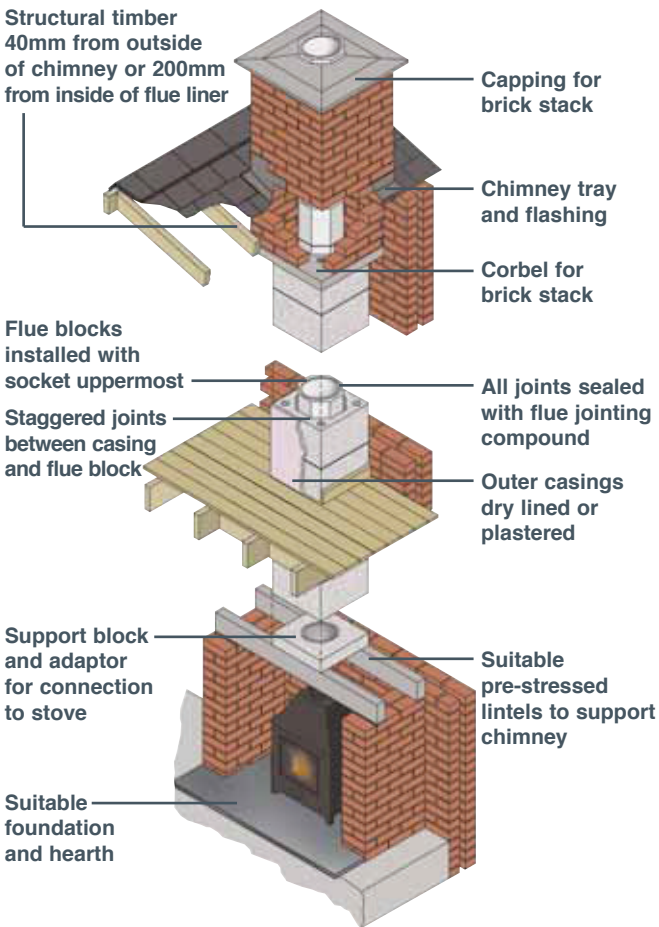
## New Chimneys - Stainless Steel Twin Wall Flue



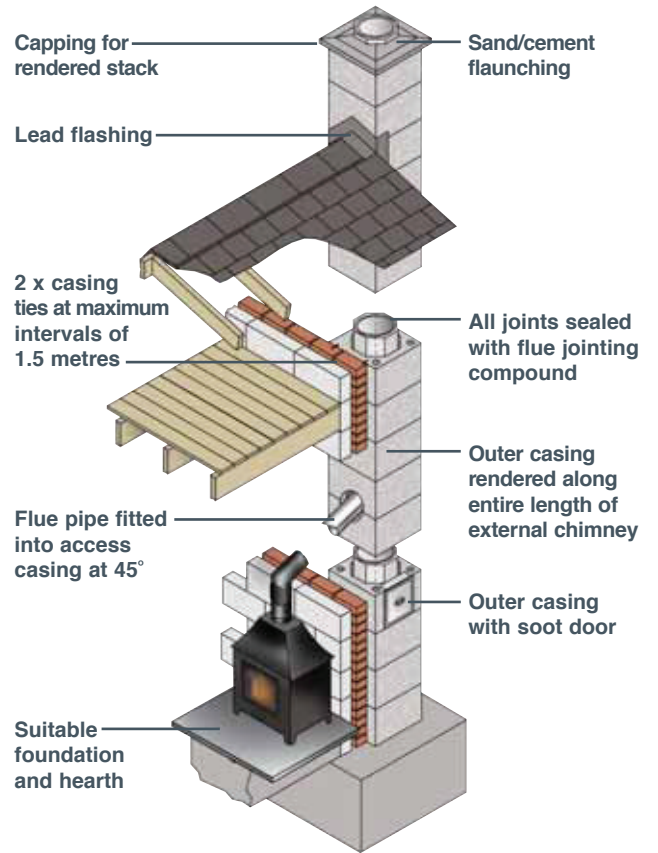
Installations shown are by way of illustration only. Manufacturer's installation instructions should always be consulted before installation.

# Wood Burning & Multi Fuel Stoves

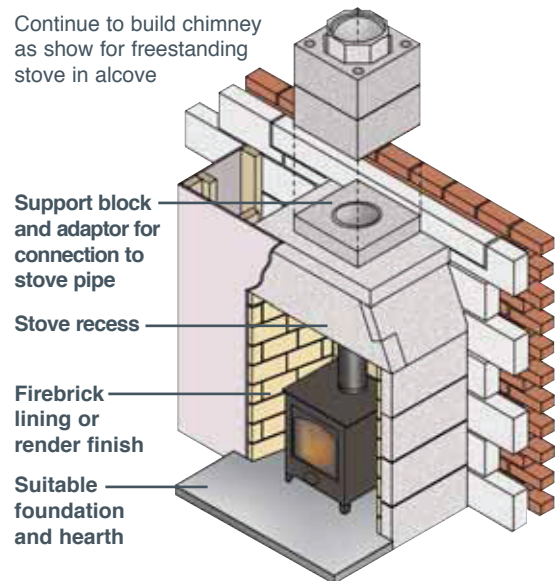
## Clay Concrete & Pumice - Chimney Systems



**Free Standing Stove in an Alcove**



**Free standing stove with external chimney with preformed stove entry kit**



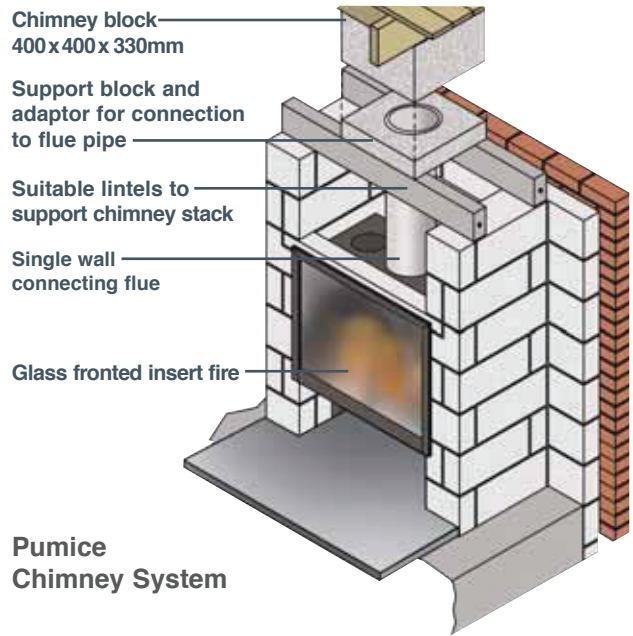
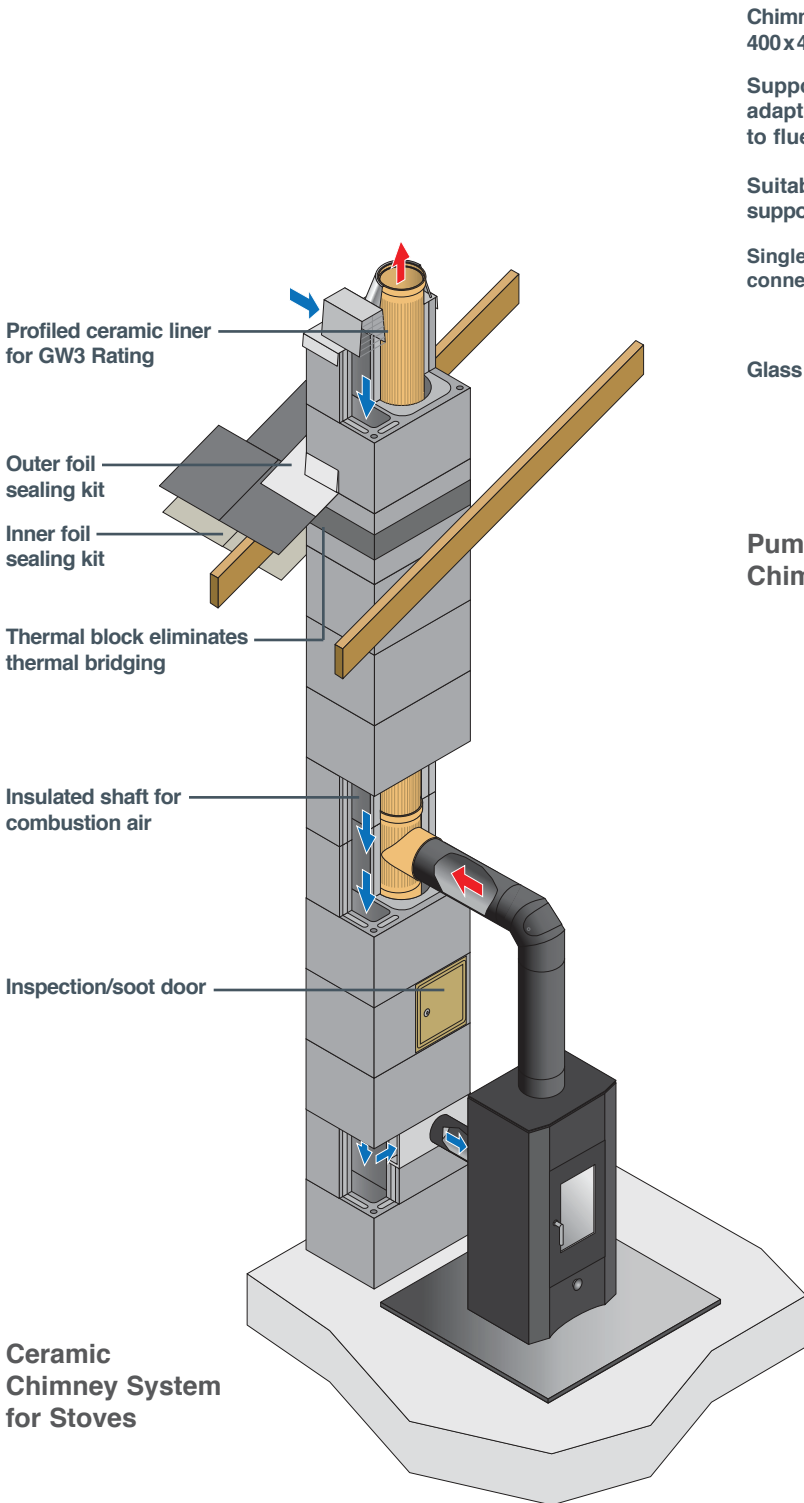
**Stove Recess**

Installations shown are by way of illustration only. Manufacturer's installation instructions should always be consulted before installation.



# Wood Burning & Multi Fuel Stoves

## Clay Concrete & Pumice - Chimney Systems



# Wood Burning & Multi Fuel Stoves

## Clay Concrete & Pumice - Liners

Sand/cement flashing  
around flue liner or  
chimney pot

Chimney tray  
and flashing

Structural timber  
40mm from outside  
of chimney or 200mm  
from inside of flue liner

Joints sealed with flue  
joining compound

Standard flue liners  
with socket uppermost

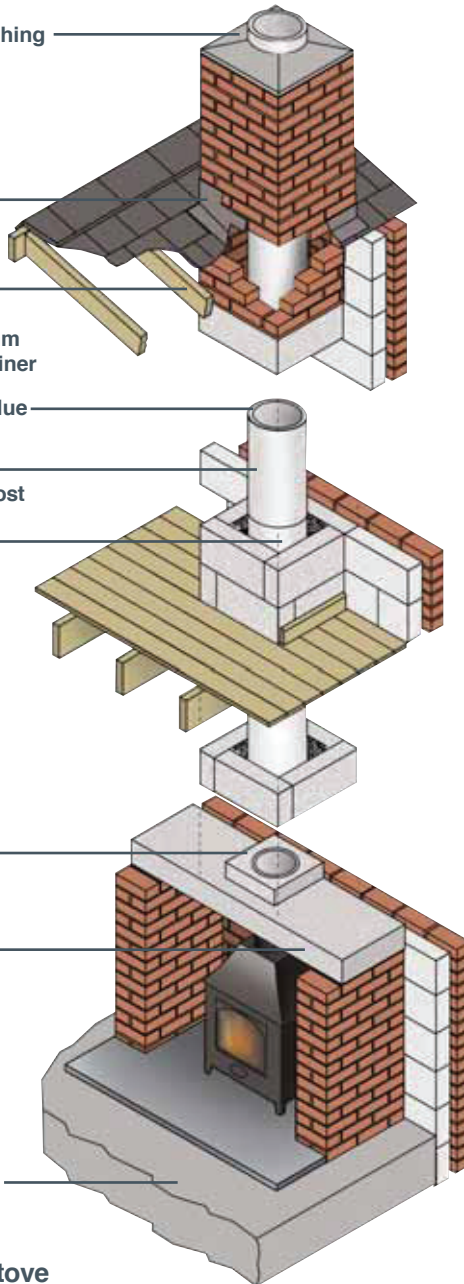
Voids filled with  
suitable insulating  
material

Support block and  
adaptor for stove  
connection

Cast in situ slab to  
support chimney

Suitable foundation  
and hearth

**Free Standing Stove**



Continue to build chimney  
as in free standing stove

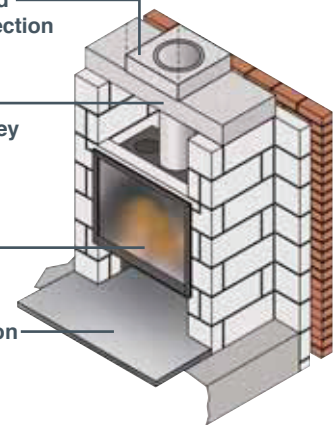
Support block and  
adaptor for connection  
to flue pipe

Cast in situ slab  
to support chimney

Glass fronted  
insert fire

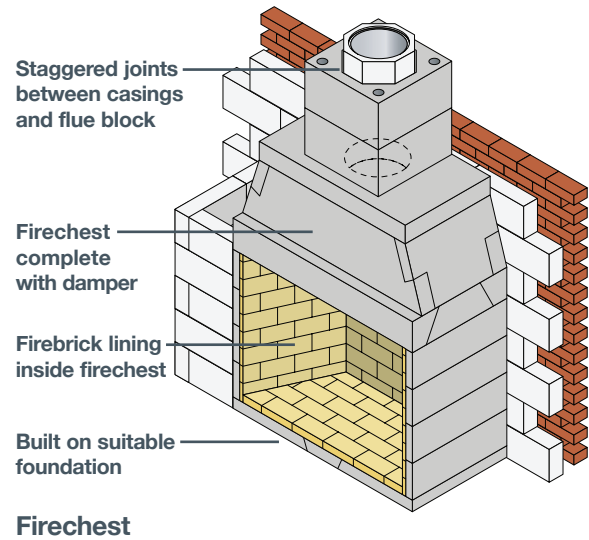
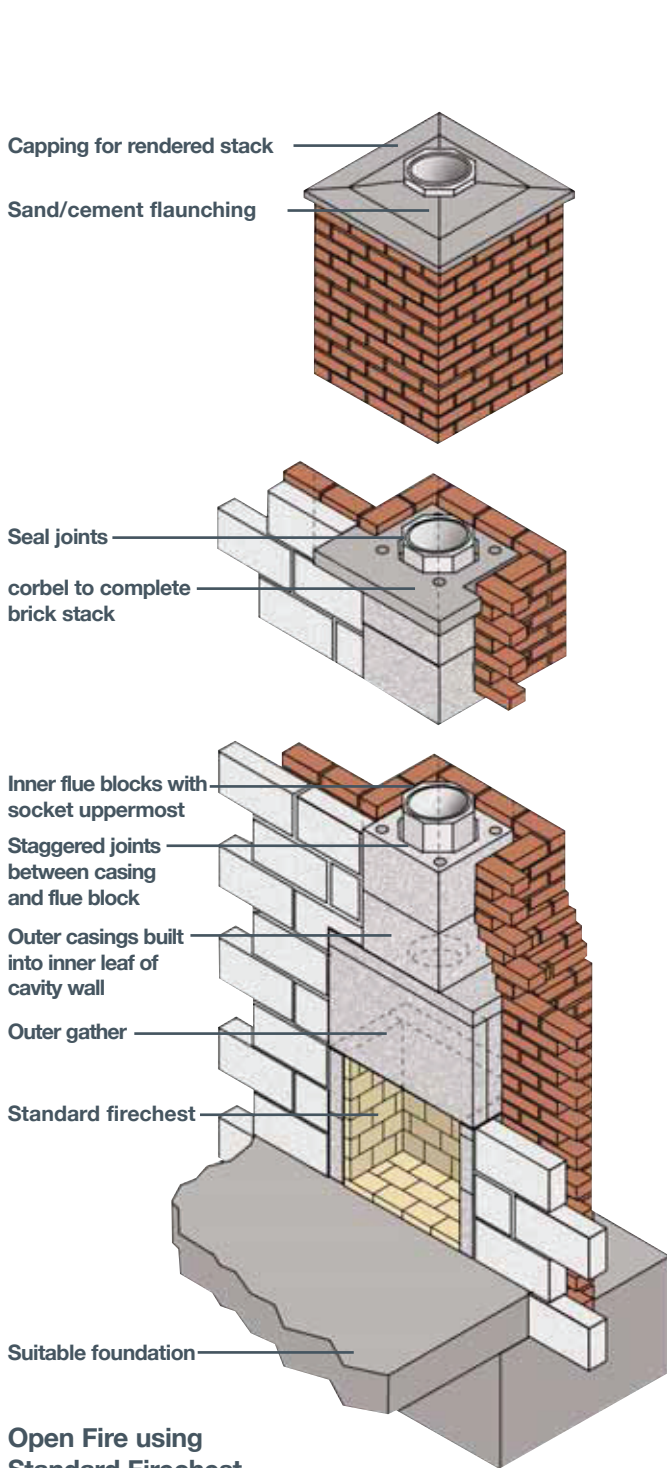
Suitable foundation  
and hearth

**Insert Fire**



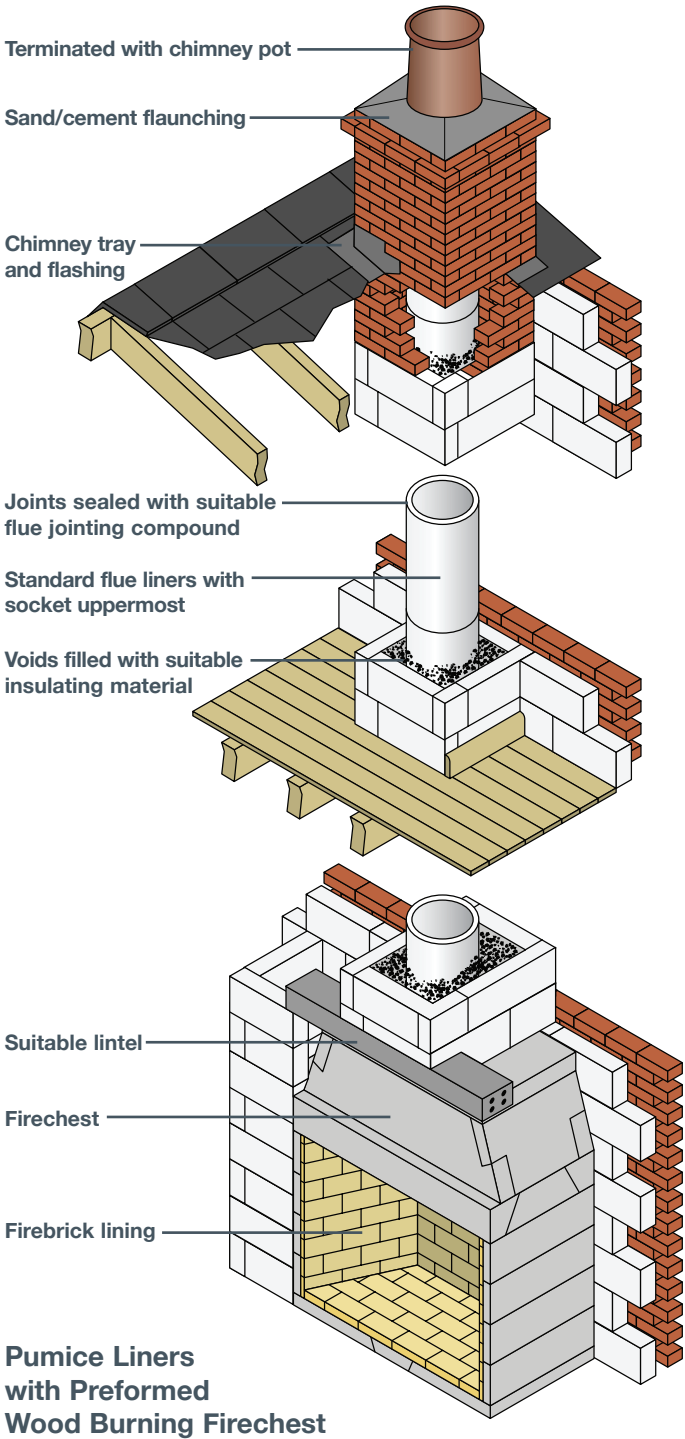
# Open Fires

## Clay Concrete & Pumice - Chimney Systems

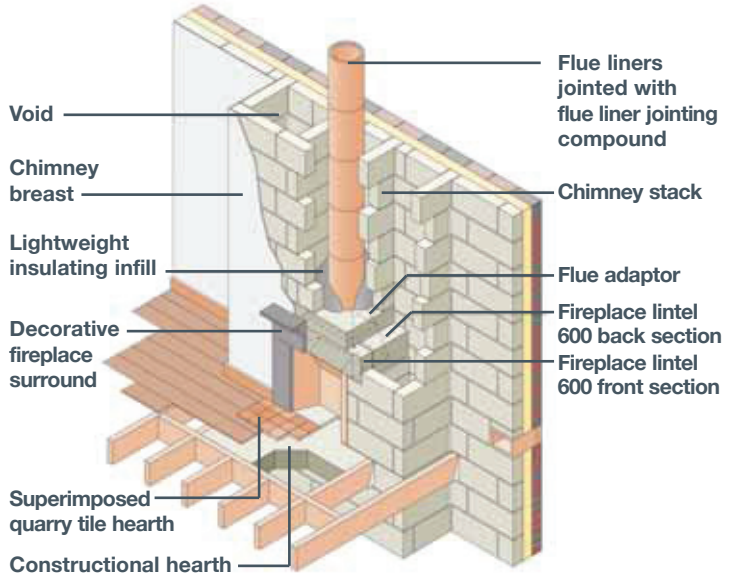


# Open Fires

## Clay Concrete & Pumice - Liners



**Pumice Liners with Preformed Wood Burning Firechest**



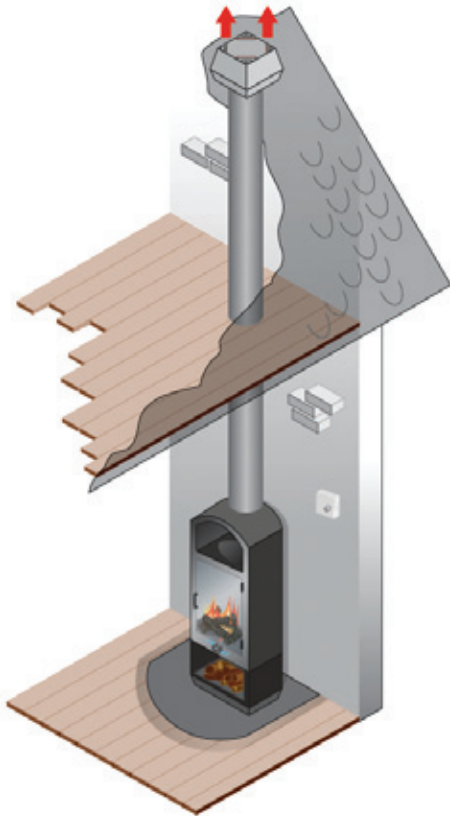
**Standard Methodology for Clay, Concrete & Pumice Liners**

Installations shown are by way of illustration only. Manufacturer's installation instructions should always be consulted before installation.

Drawings courtesy of Schiedel Chimney Systems except Standard Methodology for Clay, Concrete & Pumice Liners; courtesy of Wavin.

# Wood Burning & Multi Fuel Appliances

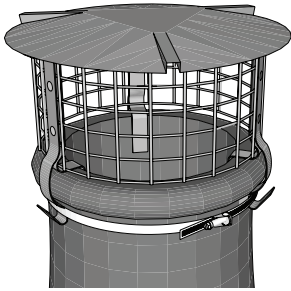
## Chimney Fan System



Installations shown are by way of illustration only. Manufacturer's installation instructions should always be consulted before installation.

## Examples of Terminals

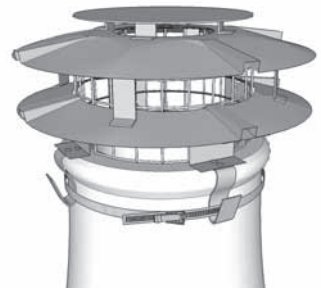
### Examples of Stainless Steel Terminals, Birdguards & Anti-Downdraught Terminals



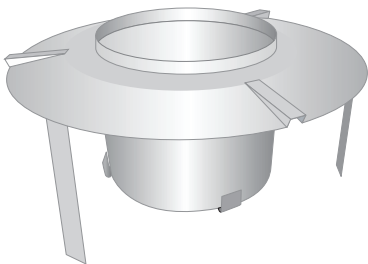
**Birdguard  
fitted to Chimney Pot**



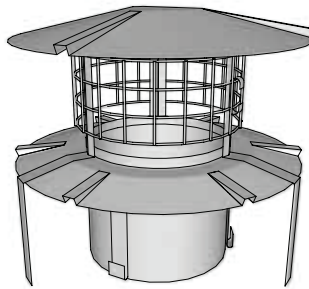
**Raincap  
fitted to Chimney Pot**



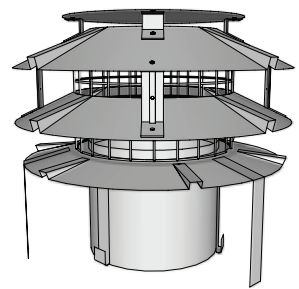
**Solid Fuel Anti-Downdraught  
fitted to Chimney Pot  
(with or without mesh)**



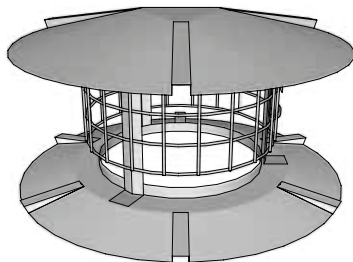
**Pot Hanger  
fitted to Twin Wall Flexible Liner**



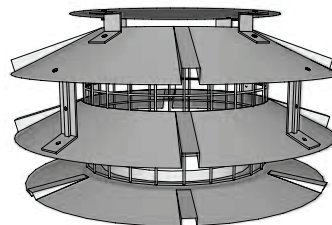
**Birdguard Pot Hanger  
fitted to Twin Wall Flexible Liner  
(with or without mesh)**



**Anti-Downdraught Pot Hanger  
fitted to Twin Wall Flexible Liner  
(with or without mesh)**



**Birdguard  
fitted to Twin Wall System  
(with or without mesh)**



**Anti-Downdraught  
fitted to Twin Wall System  
(with or without mesh)**

## List of Members

### **Brewer Metalcraft**

Units C & D,  
Ford Lane Industrial Estate,  
Ford, Arundel,  
West Sussex,  
BN18 0DF,  
T: 01243 539 639  
E: sales@brewercowls.co.uk  
[www.brewercowls.co.uk](http://www.brewercowls.co.uk)

### **Midtherm Flue Systems**

Kirklands Estate,  
New Road,  
Netherton,  
Dudley,  
West Midlands,  
DY2 8SY,  
T: 01384 458800  
E: sales@midtherm.net  
[www.midtherm.co.uk](http://www.midtherm.co.uk)

### **SFL Flues & Chimneys**

Pottington Business Park,  
Barnstaple,  
Devon,  
EX31 1LZ,  
T: 01271 326633  
E: info@sflchimneys.com  
[www.sflchimneys.com](http://www.sflchimneys.com)

### **Exodraft**

10 Crestway,  
Tarleton,  
Preston,  
PR4 6BE,  
T: 01494 465166  
E: info@exodraft.co.uk  
[www.exodraft.co.uk](http://www.exodraft.co.uk)

### **Mi-Flues**

Spiro House,  
Cocker Avenue,  
Poulton Business Park,  
Poulton-Le-Fylde,  
Lancashire,  
FY6 8JU,  
T: 01253 600060  
E: sales@mi-flues.com  
[www.mi-flues.com](http://www.mi-flues.com)

### **Wavin Hepworth Terracotta**

Edlington Lane,  
Edlington,  
Doncaster,  
South Yorkshire,  
DN12 1BY,  
T: 0844 856 5152  
E: customerservices@wavin.co.uk  
[www.wavin.co.uk](http://www.wavin.co.uk)

### **Forterra Building Products**

Atherstone Road,  
Measham,  
Swadlincote,  
Derbyshire,  
DE12 7EL,  
T: 01530 273737  
E: redbanksales@forterra.co.uk  
[www.forterra.co.uk](http://www.forterra.co.uk)

### **Premier Flue**

Crossley Works, Stockfield Mount,  
Off Peel Street, Chadderton,  
Oldham,  
Lancashire,  
OL9 9LR,  
T: 0161 678 2998  
E: sales@premierflue.co.uk  
[www.premierflue.co.uk](http://www.premierflue.co.uk)

### **W.T. Knowles & Sons**

Ash Grove Pipe Works,  
Elland,  
West Yorkshire,  
HX5 9JA,  
T: 01422 372 833  
E: sales@wtknowles.co.uk  
[www.wtknowles.co.uk](http://www.wtknowles.co.uk)

### **Jeremias UK**

Unit 2-4, Long Stoop Way,  
Sovereign Court  
Crown Farm Industrial Estate,  
Forest Town,  
Mansfield  
NG19 0FQ,  
T: 01623 889219  
E: info@jeremias-fluesystems.co.uk  
[www.jeremias-fluesystems.co.uk](http://www.jeremias-fluesystems.co.uk)

### **Poujoulat (UK)**

Unit 1, Quadrum Park,  
Old Portsmouth Road,  
Guildford,  
Surrey,  
GU3 1LU,  
T: 01483 461700  
E: sales@poujoulat.co.uk  
[www.poujoulat.co.uk](http://www.poujoulat.co.uk)

### **M&G Group Europe Ltd**

2 The Oaks,  
Mill Farm Courtyard,  
Beachampton,  
MK19 6DS,  
T: 01908 569887  
E: info@mg-group.com  
[www.mg-group.com](http://www.mg-group.com)

### **Schiedel Chimney Systems**

Crowther Estate, Washington,  
Tyne & Wear,  
NE38 0AQ  
*Schiedel Rite-Vent*  
T: 0191 416 1150  
*Schiedel Isokern*  
T: 01202 861650  
E: info.uk@schiedel.com  
[www.schiedel.com/uk](http://www.schiedel.com/uk)